

Mr. Hydro

GS/G

The galvanised pallet truck offers good resistance to corrosion thanks to the hot dip galvanizing process of the frame, the control linkages of the pump body and the handle.

GS/X

In this version the parts getting in contact with the load and the operator are of AISI 304 electropolished stainless steel, while the remaining parts are subject to a hot dip galvanising treatment.

GS/I

Inox aisi 304 electropolished stainless steel is used for all metal sheet parts, while the pump is made of brass.

GS/Galvanised,
Stainless steel and Galvinox

Load Lowering
Speed Control

Mr. Hydro series, which is available in a several number of versions, is the ideal tool to handle loads in humid and damp conditions.

In particular the stainless steel model is suitable for environments where high hygienic standards are enforced, such as the chemical, pharmaceutical or food & beverage industry.



HYDRAULIC PUMP MADE OF BRASS

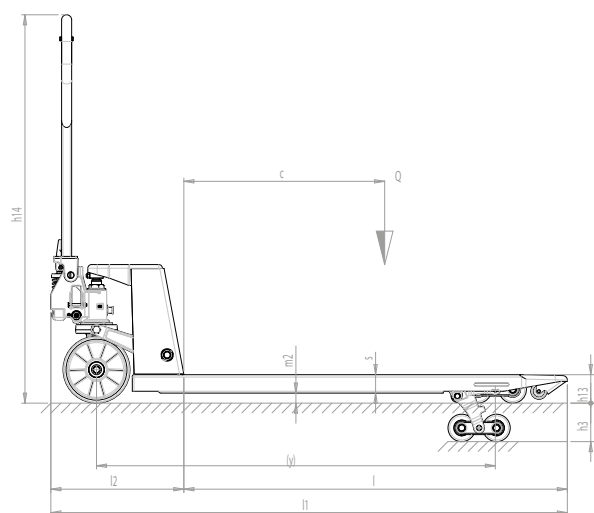
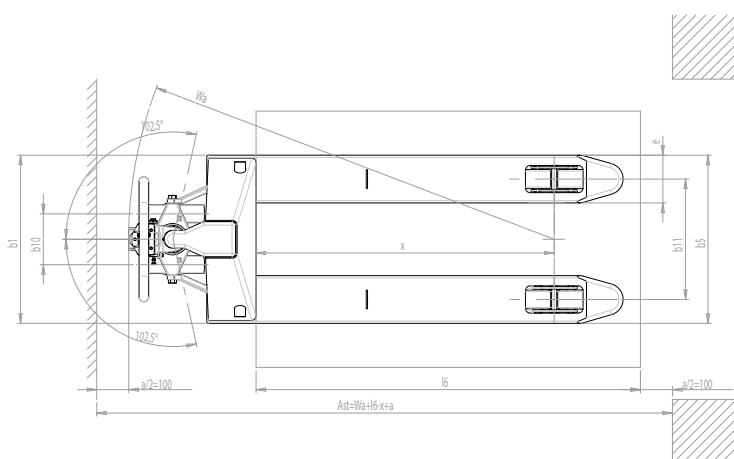
In the stainless steel version the hydraulic pump is made of brass to offer maximum resistance to humidity and oxidation.



ELECTROPOLISHING

The use of Inox AISI 304, combined with an electropolishing surface treatment, provides the machine with better appearance. Resistance to corrosion also guarantees maximum hygiene.

Manual Trucks



DESCRIPTION							
1.2	MODEL		GS/G 25 S2-S4	GS/X 25 S2-S4	GS/I 25 S2-S4	GS/L G 25 S2-S4	GS/M G 25 S2-S4
1.3	DRIVE		MANUAL	MANUAL	MANUAL	MANUAL	MANUAL
1.4	OPERATOR TYPE		PEDESTRIAN	PEDESTRIAN	PEDESTRIAN	PEDESTRIAN	PEDESTRIAN
1.5	LOAD CAPACITY	Q	kg	2500	2500	2500	2500
1.6	LOAD CENTRE DISTANCE	c	mm	600	600	600	400
1.8	LOAD DISTANCE, CENTRE OF DRIVE AXLE TO FORK	x	mm	932	932	932	582
1.9	WHEEL BASE	y	mm	1192	1192	1192	842
WEIGHTS							
2.1	SERVICE WEIGHT		kg	61-63	62-64	67-69	66-68
2.2	AXLE LOAD LADEN, FRONT/REAR		kg	738/1823-1823	739/1823-1825	742/1825-1827	771/1795-1797
2.3	AXLE LOAD UNLADEN, FRONT/REAR		kg	42/19-21	43/19-21	46/21-23	46/20-22
2.3	AXLE LOAD UNLADEN, FRONT/REAR		kg	42/19-21	43/19-21	46/21-23	46/20-22
2.3	AXLE LOAD UNLADEN, FRONT/REAR		kg	42/19-21	43/19-21	46/21-23	46/20-22
2.3	AXLE LOAD UNLADEN, FRONT/REAR		kg	42/19-21	43/19-21	46/21-23	46/20-22
TYRES/CHASSIS							
3.1	TYRES			N/N	NE/NE	NE/NE	N/N
3.2	TYRE SIZE, FRONT (Ø x width)			200x50	200x50	200x50	200x50
3.3	TYRE SIZE, REAR (Ø x width)			82x82-60	82x82-60	82x82-60	82x82-60
3.4	SIDE WHEELS (Ø x width)			-	-	-	-
3.5	WHEELS, NUMBER (x=DRIVEN) FRONT/REAR			2/2-2/4	2/2-2/4	2/2-2/4	2/2-2/4
3.6	TREAD, FRONT	b10	mm	155	155	155	155
3.7	TREAD, REAR	b11	mm	375	375	375	535
3.7	TREAD, REAR	b11	mm	375	375	375	250
DIMENSIONS							
4.4	LIFT	h3	mm	115	115	115	115
4.9	HEIGHT OF TILLER IN DRIVE POSITION MIN/MAX	h14	mm	690/1160	690/1160	690/1160	690/1160
4.15	HEIGHT, LOWERED	h13	mm	85	85	85	85
4.19	OVERALL LENGTH	l1	mm	1550	1550	1550	1200
4.20	LENGTH TO FACE OF FORKS	l2	mm	400	400	400	400
4.21	OVERALL WIDTH	b1	mm	525	525	525	685
4.22	FORK DIMENSIONS	s/e/l	mm	55/150/1150	55/150/1150	55/150/1150	55/150/800
4.25	DISTANCE BETWEEN FORK ARMS	b5	mm	525	525	525	400
4.32	GROUND CLEARANCE, CENTRE OF WHEEL BASE	m2	mm	30	30	30	30
4.35	TURNING RADIUS	Wa	mm	1367	1367	1367	1017
PERFORMANCE DATA							
5.2	LIFT SPEED, LADEN/UNLADEN		strokes	13/13	13/13	13/13	13/13
COMPONENT SPECIFICATIONS							
	HYDRAULIC UNIT			GALVANIZED	GALVANIZED	BRASS	GALVANIZED
	FRAME			GALVANIZED	INOX	INOX	GALVANIZED
	PUSH RODS			GALVANIZED	GALVANIZED	INOX	GALVANIZED
	ROCKER ARM			GALVANIZED	GALVANIZED	INOX	GALVANIZED
	WHEELS			NYLON	NYLON EXTRA	NYLON EXTRA	NYLON
	LOAD ROLLERS			NYLON	NYLON EXTRA	NYLON EXTRA	NYLON
	TILLER			GALVANIZED	INOX	INOX	GALVANIZED

G = Rubber, N = Nylon, P = Polyurethane, A = Steel, NE = Nylon extra

FORK LENGTH	l	mm	800	1150	1220
LOAD CENTRE DISTANCE	c	mm	400	600	610
WHEELS, NUMBER (x=DRIVEN) FRONT/REAR			2/2-2/4	2/2-4/2	2/2-2/4
OVERALL LENGTH	l1	mm	1200	1550	1620
LOAD DISTANCE, CENTRE OF DRIVE AXLE TO FORK	x	mm	582	932	1002
WHEEL BASE	y	mm	842	1192	1262
SERVICE WEIGHT		kg	55-57	61-63	63-65
AXLE LOAD LADEN, FRONT/REAR		kg	579/1976-1978	738/1823-1825	820/1743-1745
AXLE LOAD UNLADEN, FRONT/REAR		kg	39/16-18	42/19-21	43/20-22
TURNING RADIUS	Wa	mm	1017	1367	1437
aisle width for pallets 800x1200-l LENGTHWISE	Ast	mm	1435	1835	1855